



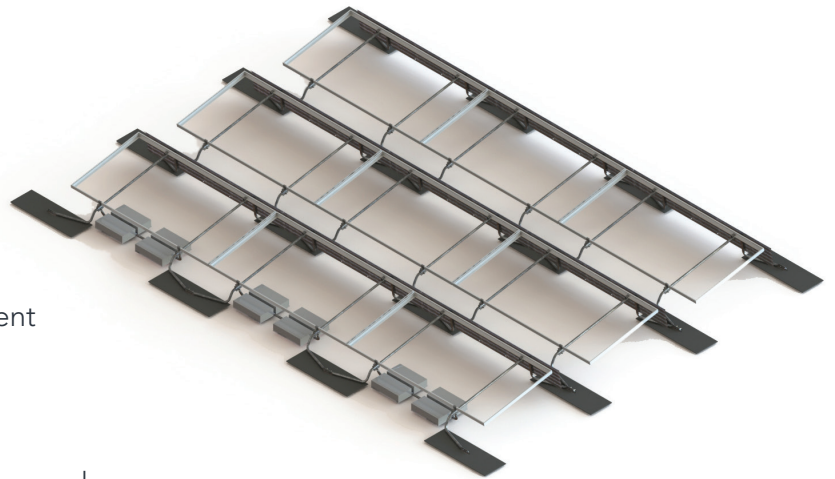
PRG

GRID BASED BALLASTED FLAT ROOF SYSTEM

The Polar Racking Grid Based Ballasted Solution is the most economical, robust and easy to install solution for flat roofs. PRG accommodates green zone clamping for both 60 and 72 cell modules with integrated bonding. Its superior grid architecture makes it the lightest ballasted solution in the industry.

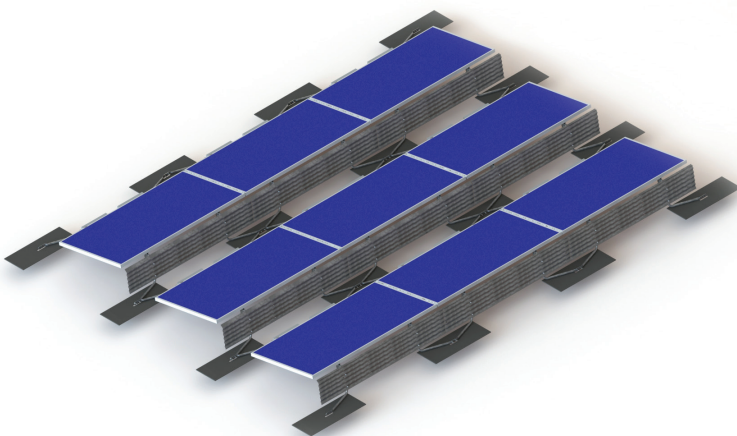
KEY PRODUCT BENEFITS

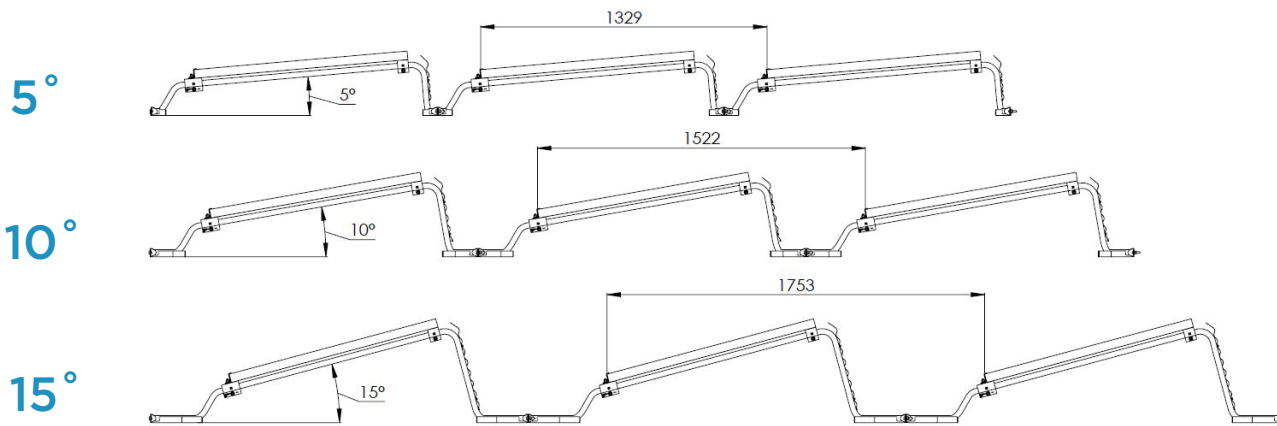
- Average load less than 3 - 4 PSF
- Faster installation
 - Slide-On Clamps
 - Self aligning
 - Minimal parts and fasteners
- Flexible East West & North South wire management features
- Optional accessory mount for easy installation of optimizers or micro inverters
- Single panel modular design allows for flexibility around roof obstructions maximizing available space
- Class A Fire Rating – UL 2703 test standards for use with type 1 & 2 modules
- 10 year warranty backed by 3rd party insurance company
- Innovative Patent Pending Design



KEY TECHNICAL FEATURES

- High quality aluminized components
- Extreme weight distribution
- Integrated bonding
- Available tilt and row spacing 5°, 10° & 15°
- Suitable for all types of flat roofs
- Supports all standard 60 and 72 cell modules in Green Zone
- Project Management via Proworkflow
- Full Technical Support
- Optional Anchor/Hybrid Solution available





SYSTEM ATTRIBUTES:

SYSTEM TYPE	Flat Roof Mount, Grid Based Ballasted	ROOF TYPES	• BUR	• TPO
WARRANTY	10 year warranty backed by 3rd party insurance company		• Modified Bitumen	• EPDM

DESIGN CONSIDERATIONS

CODES	ASCE/SEI 7-10, IBC 2012, NBC, OBC 2012	TESTING & STANDARDS	UL2703, CSA 22.2, Class A Fire, RWDI Wind Engineering
--------------	--	--------------------------------	---

TECHNICAL SPECIFICATIONS

AVG. RACKING SYSTEM DEAD LOAD	2.5 psf (with module)	STRUCTURE MATERIAL / COATING	ASTM A787 / T1 Aluminized Coating
BONDING	Integrated bonding as per UL 2703	CLAMPS MATERIAL / COATING	ASTM A1011 HSLA / ASTM A653 G90 Galvanized Coating
MAX ROOF ANGLE	5°	HARDWARE MATERIAL / COATING	M8 & M6 Class 8.8 Serrated Flange Hex Bolts / Magni 565 Coating (stainless steel optional)
GROUNDING	One ground point per sub-array		

STANDARD MODULE COMPATIBILITY

	60 CELL	72 CELL
MODULE WIDTH	982mm-1002mm	982mm-1002mm
MODULE LENGTH	1638mm-1675mm	1956mm-1975mm
MODULE HEIGHT	31mm-50mm	31mm-50mm

INSTALLATION

TOOLS	8mm socket & 13mm socket
FEATURES	<ul style="list-style-type: none"> • Grid based self spacing system • Slide on north clamps, with top down south clamps
PRODUCT SUPPORT	Full technical support & on-site training



This document does not create any express warranty by Polar Racking or about its products or services. Polar Racking's sole warranty is contained in the written product manual for each product. The end-user documentation shipped with Polar Racking's products constitutes the sole specifications referred to in the product warranty. The customer is solely responsible for verifying the suitability of Polar Racking's product for each use. Subject to change without notice. Last update, August 2016.